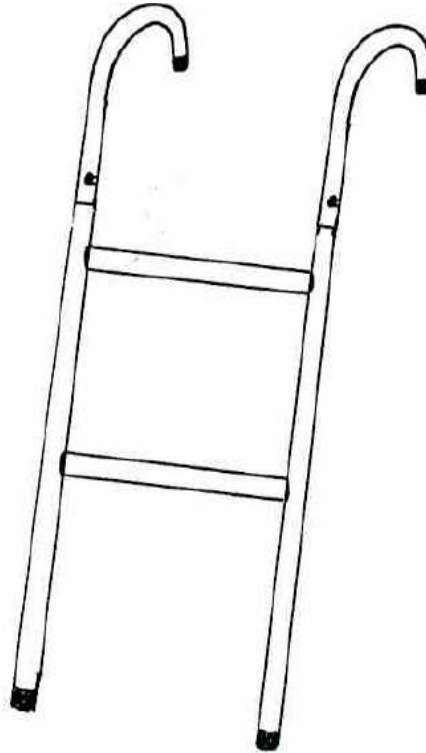




## ASSEMBLY INSTRUCTIONS

### LADDER FOR 12FT TRAMPOLINE

---



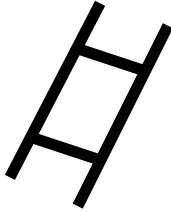



**WARNING**

This ladder is subject to a 120lbs weight limit.  
Do not allow more than one person on the ladder at a time.  
Do not allow young children to use unless supervised by an adult

**Parts**

Tohama Inc.

Customer helpline telephone number: 18009998723 Mon- Fri 09:00 – 17:00

Part Number	Description	Illustration	Qty
Item 1	Main Frame		1
Item 2	Upper Leg tube		2
Item 3	Star washer screw		2
Item 4	Plastic tube end cap (already fitted)		4

**IMPORTANT**

Tohama Inc.

Customer helpline telephone number: 18009998723 Mon- Fri 09:00 – 17:00

Use the above parts list to make sure all parts are present before assembling the ladder. Do not attempt to assemble the ladder if any parts are missing or damaged. Inspect the ladder before assembly.

If any parts are missing or damaged please call the helpline number 18009998723 for assistance.

**Tools required (not supplied)**

Phillips screw driver

**Before You Start.**

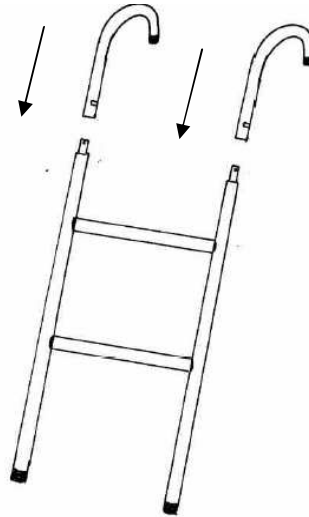
- Please read the instructions carefully.
- Please dispose of all polyethene packing carefully and keep it away from children.
- Please read the instruction booklet prior to using your trampoline.
- Check the parts list and make sure you have all the parts listed above. If not call the helpline number above.
- Take a few minutes to familiarise yourself with the contents before assembly
- When you are ready to start, make sure you have the right tools to hand.

**Assembly and Installation Instructions**

Tohama Inc.

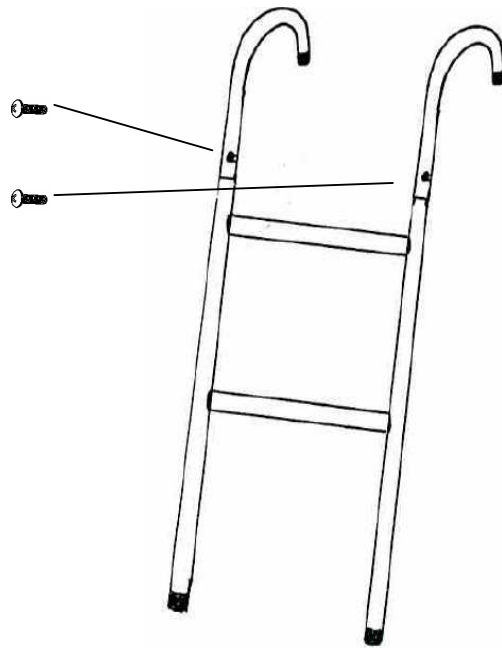
Customer helpline telephone number: 18009998723 Mon- Fri 09:00 – 17:00

**Step 1:** Take upper leg tubes item 2 and locate over the narrowed end of the main ladder frame item 1 as shown.



**Step 2:** Once both upper leg tubes are in place rotate the leg until the slots line up with the bolt hole in the main ladder frame, Now take screw item 3 and secure the legs to the main frame using a Phillips screw driver.

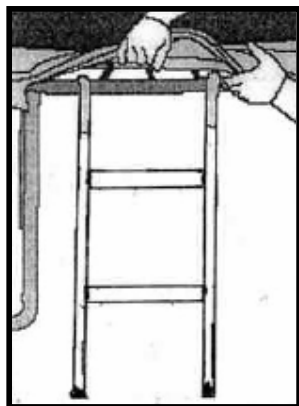
Assembly of the ladder is now complete.



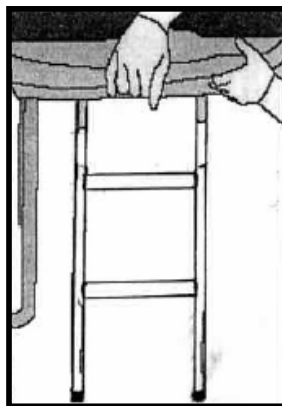
**IMPORTANT:** The ladder **MUST** only be used in conjunction with the 12ft trampoline. The ladder **MUST** always be hooked onto the trampoline frame as shown.

**Step 4:** If using an enclosure, position the ladder by the doorway where you enter/exit the trampoline

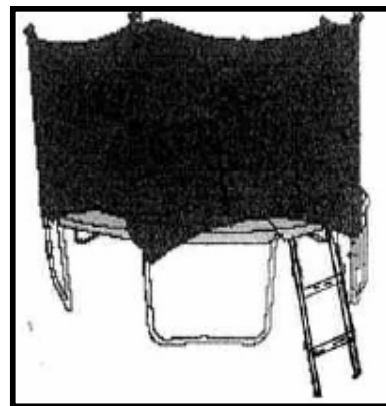
- A. Lift the padding up and hook the ladder onto the outer frame.
- B. Ensure it does not interfere with the ties, springs or mat.
- C. Fold the padding over the top of the ladder.



A



B



C

Care and maintenance Instructions:

- 1/ Inspect the ladder before each use and replace any worn, defective or missing parts.
- 2/ regularly check that all bolts are tightened.
- 3/ Do not leave the ladder outdoors when not in use. The ladder should be stored in a dry covered area when not in use.

SAFETY  
HINTS

**WARNINGS**

- **WARNING**-remove the ladder when not in use.
- **MAX WEIGHT LOAD 120LBS**
- **CAUTION**-Only one person on the ladder at any one time.
- This ladder is only intended for use with a trampoline-not to be used for any other use.
- **IMPORTANT**-Hook the ladder over the top frame pole and then cover the ladder with the frame pad.
- Ensure the ladder is correctly located on the frame and that all the fixings are secure.
- The ladder is not a toy-**DO NOT** let children to play with, swing or jump from the ladder.
- Regularly inspect the ladder and fixings for damage or corrosion-replace worn parts when required, **DO NOT** use ladder if damaged or parts require replacement.
- A responsible adult must assemble the ladder.
- Use by more than one person at a time could result in serious injury.
- Trampoline and ladder must only be used under adult supervision.
- Assemble and use only as instructed in the instruction manual.
- Only to be used by children aged 6yrs and over.
- Use this ladder in conjunction with the instructions supplied with your trampoline.
- For Spare parts or Customer advice please call Fairweather Trading Ltd-HELPLINE No 18009998723